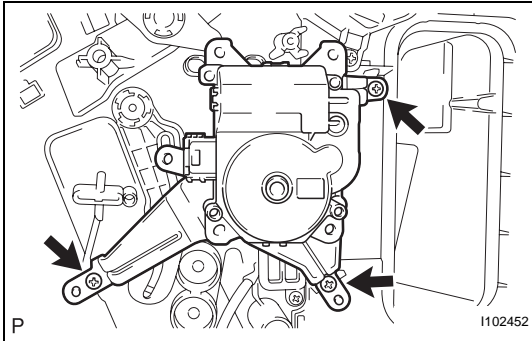
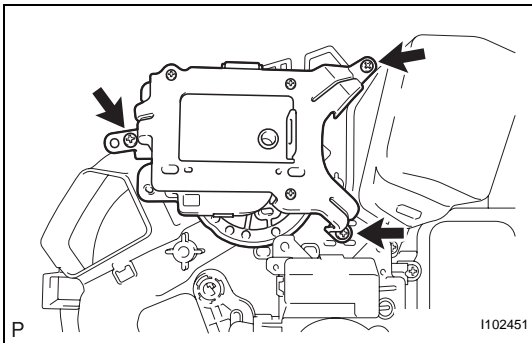
**7. INSTALL COOLER UNIT DRAIN HOSE**

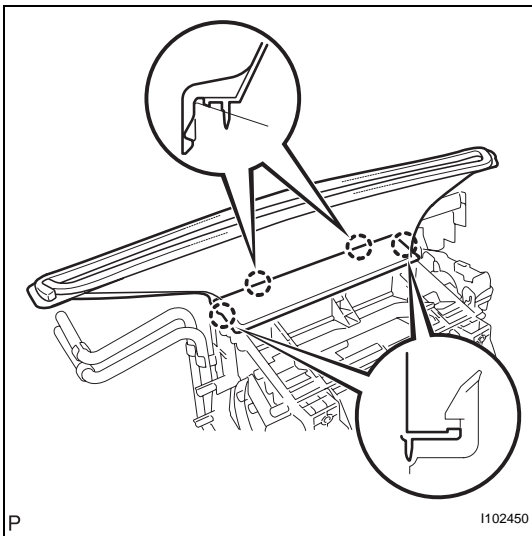
- (a) Install the cooler unit drain hose.

**8. INSTALL AIR MIX CONTROL SERVO MOTOR**

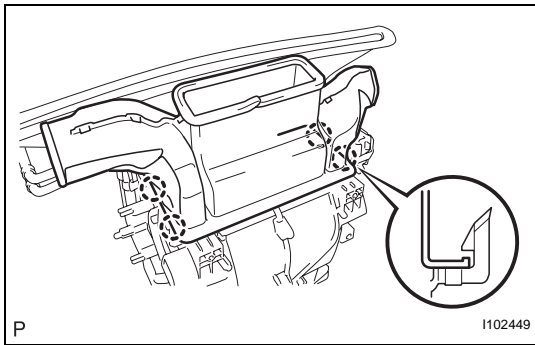
- (a) Install the air mix control servo motor with the 3 screws.

**9. INSTALL MODE CONTROL SERVO MOTOR**

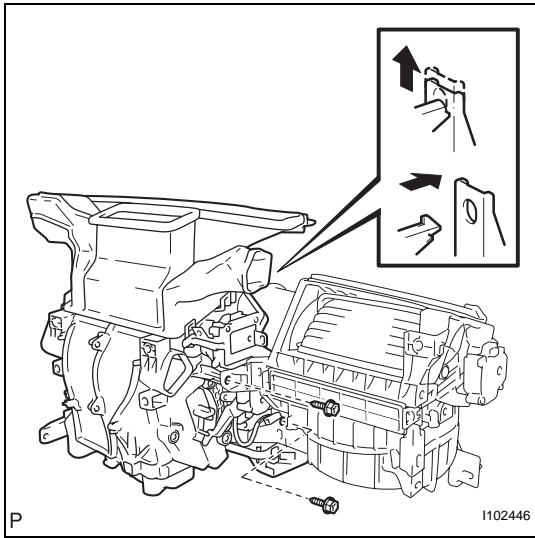
- (a) Install the mode control servo motor with the 3 screws.

**INSTALLATION****1. INSTALL LOWER DEFROSTER NOZZLE ASSEMBLY**

- (a) Engage the 4 claws and install the lower defroster nozzle.

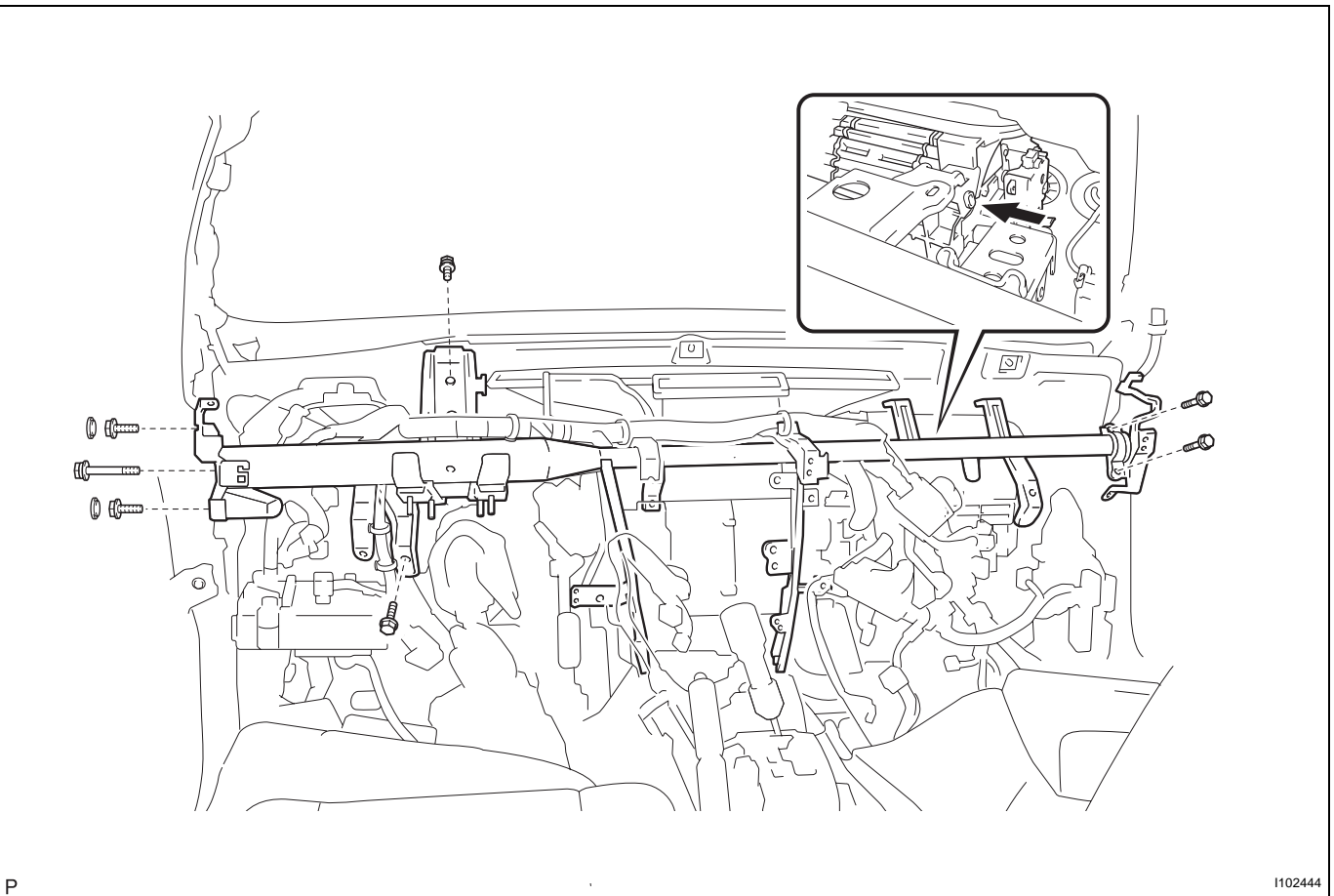


2. **INSTALL HEATER TO REGISTER DUCT ASSEMBLY**
  - (a) Engage the 4 claws and install the heater to register duct.



3. **INSTALL AIR CONDITIONING UNIT ASSEMBLY**
  - (a) Install the air conditioning unit with the 2 screws as shown in the illustration.

4. **INSTALL INSTRUMENT PANEL REINFORCEMENT**
  - (a) Provisionally install the air conditioning unit assembly.
  - (b) Insert the bracket hook into the holes of the reinforcement bracket, and provisionally install the reinforcement.
  - (c) Install the instrument panel reinforcement with the 7 bolts.
  - (d) Install the 2 caps.



- (e) Install the 5 bolts.

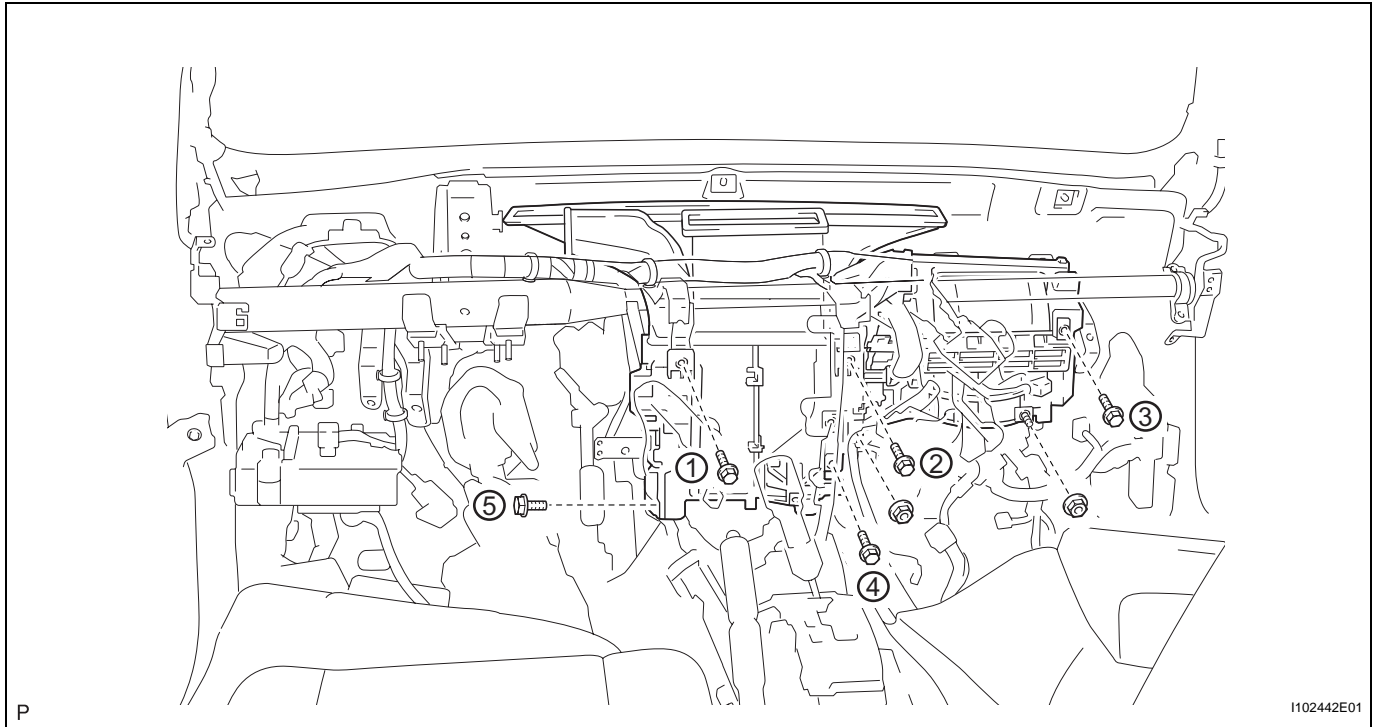
**NOTICE:**

**Tighten the bolts in the sequence order shown in the illustration to install the air conditioner unit assembly.**

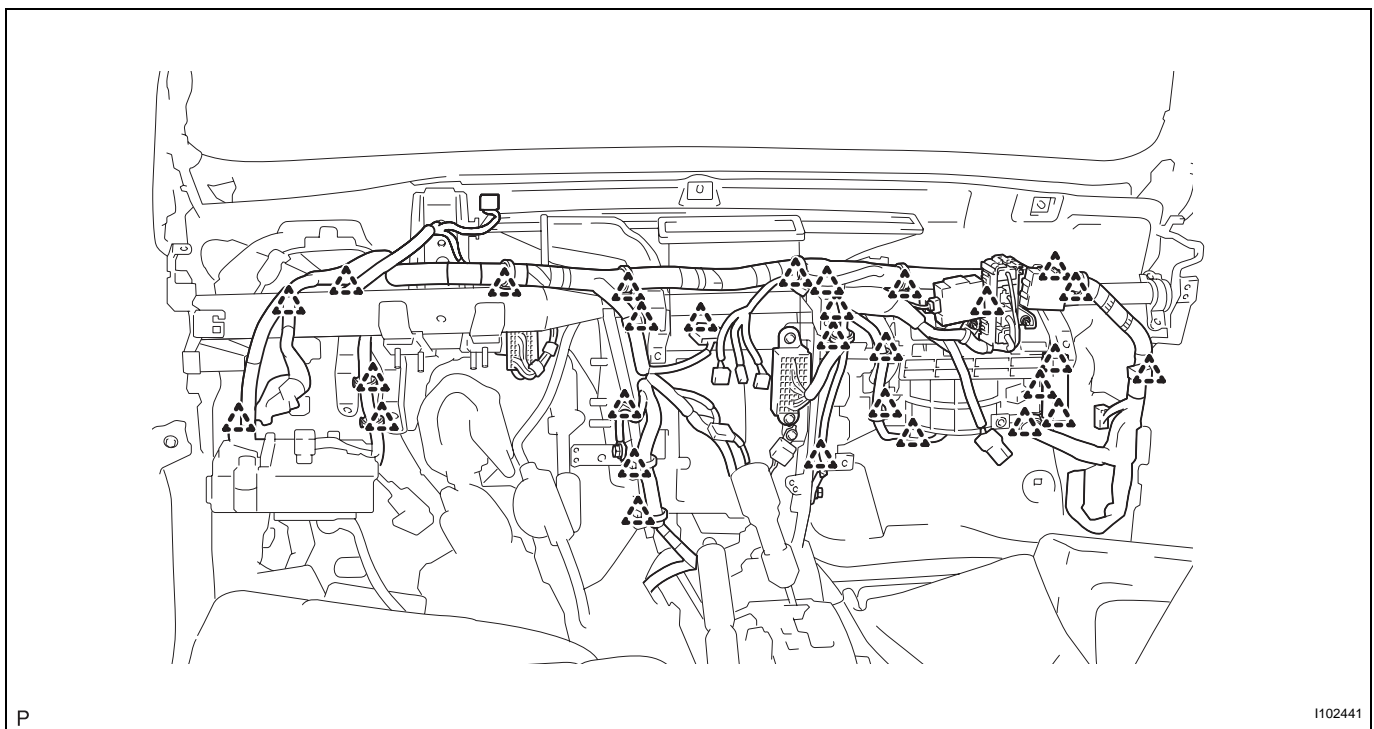
**Torque: 9.8 N\*m (100 kgf\*cm, 87 in.\*lbf) for bolt**

- (f) Install the 2 nuts.

**Torque: 5.4 N\*m (55 kgf\*cm, 48 in.\*lbf) for nut**

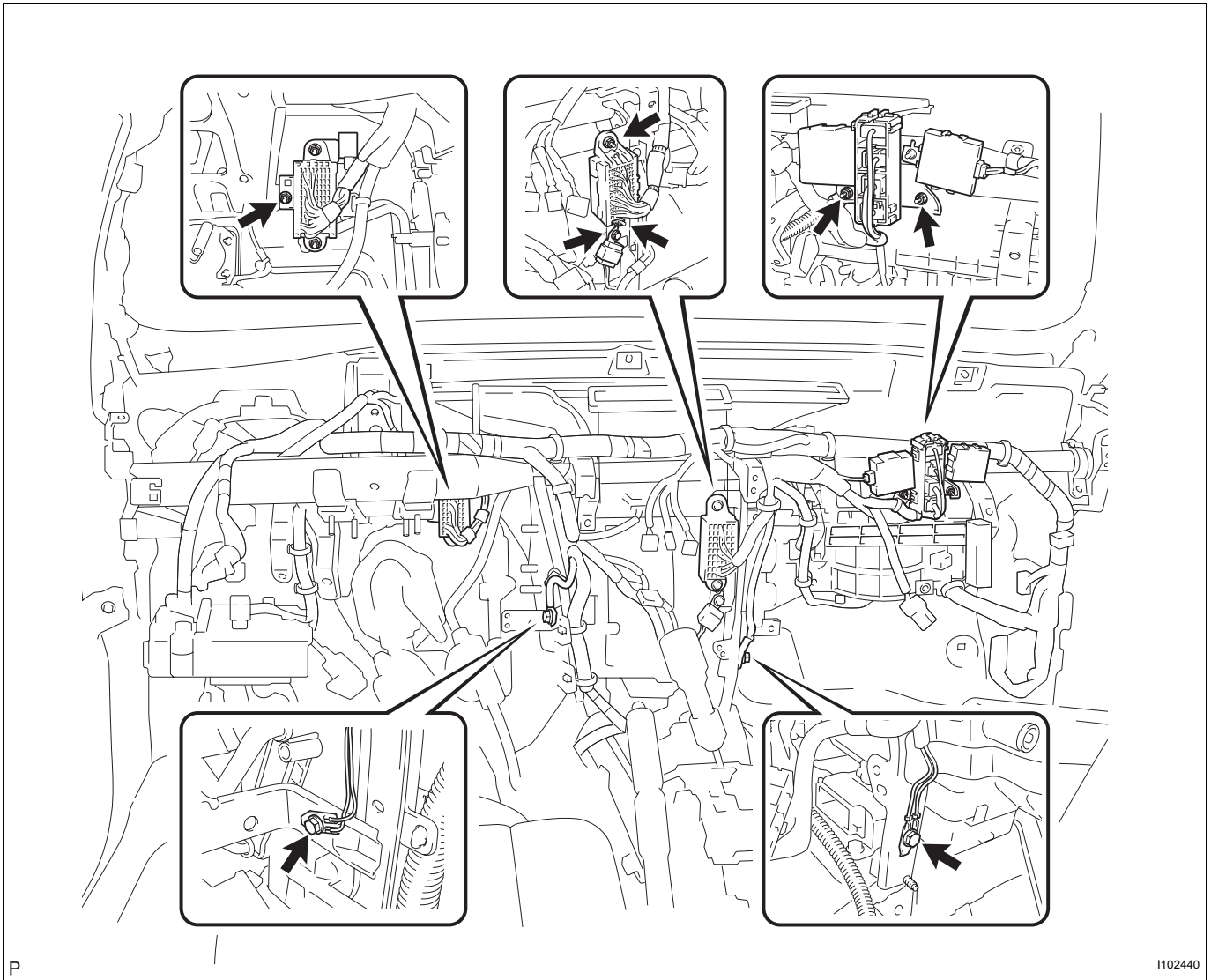


- (g) Engage the clamps.



- (h) Connect the connectors.

- (i) Connect the wire harness with the 3 bolts and 5 nuts.



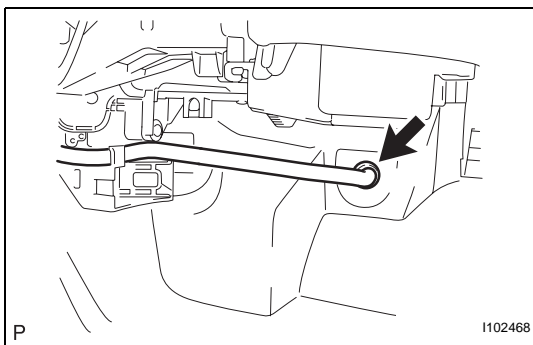
P

1102440

**Torque: 7.3 N\*m (74 kgf\*cm, 65 in.\*lbf) for nut**

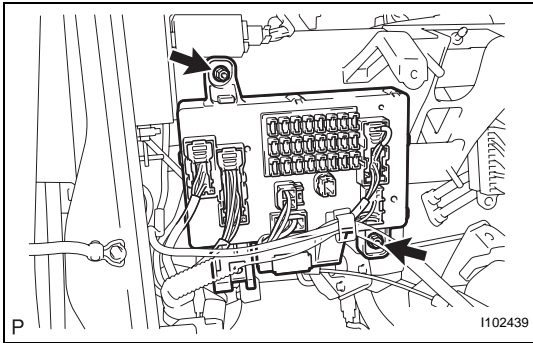
**5. INSTALL COOLER UNIT DRAIN HOSE**

- (a) Install the cooler unit drain hose.



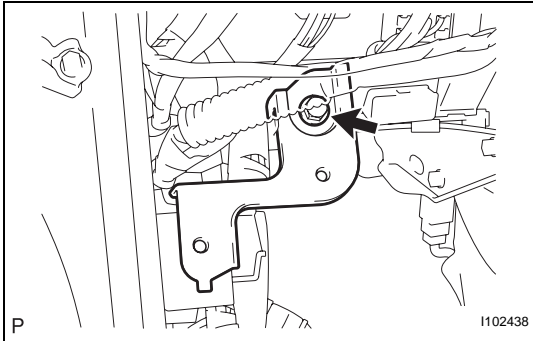
P

1102468



## 6. INSTALL MAIN BODY ECU (DRIVER SIDE J/B)

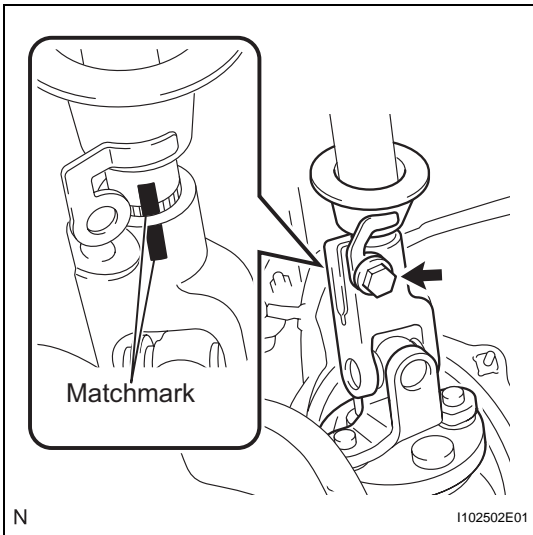
- (a) Install the main body ECU with the 2 nuts.  
**Torque: 8.4 N\*m (86 kgf\*cm, 74 in.\*lbf)**



## 7. INSTALL INSTRUMENT PANEL SIDE BRACKET

- (a) Install the instrument panel side bracket with the bolt.  
**Torque: 8.4 N\*m (86 kgf\*cm, 74 in.\*lbf)**

## 8. INSTALL STEERING COLUMN ASSEMBLY (See page [SR-16](#))

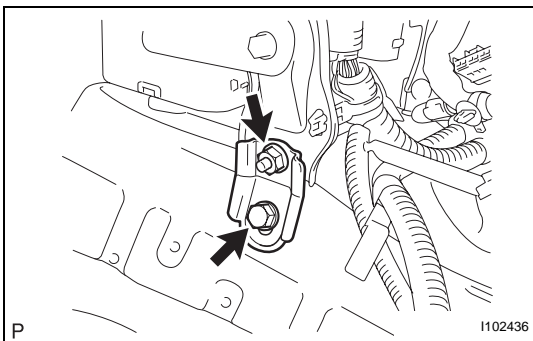


## 9. INSTALL STEERING INTERMEDIATE SHAFT ASSEMBLY

- (a) Align the matchmarks on the steering column assembly and the steering intermediate shaft assembly.  
 (b) Install the steering intermediate shaft assembly and thrust stopper onto the steering column assembly with the bolt.  
**Torque: 36 N\*m (367 kgf\*cm, 27 ft.\*lbf)**

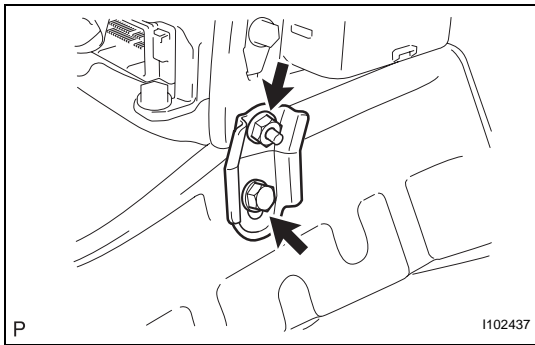
## 10. INSTALL STEERING COLUMN HOLE COVER (See page [SR-17](#))

## 11. INSTALL ECM (See page [ES-447](#))

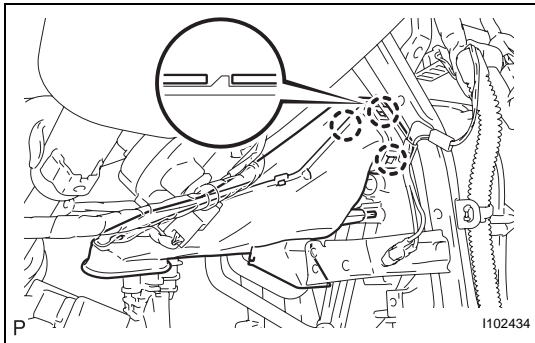


## 12. INSTALL NO. 1 INSTRUMENT PANEL BRACE BRACKET

- (a) for LH side:  
 (1) Install the instrument panel brace mounting bracket with the bolt and nut.

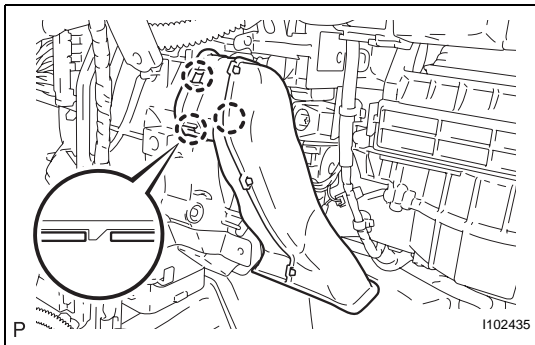


- (b) for RH side:
  - (1) Install the instrument panel brace mounting bracket with the bolt and nut.



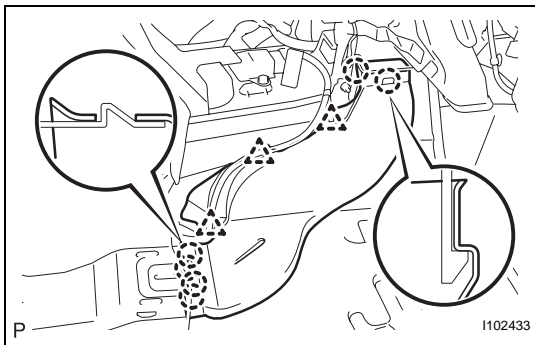
**13. INSTALL NO. 1 AIR DUCT**

- (a) Engage the 3 claws and install the air duct.



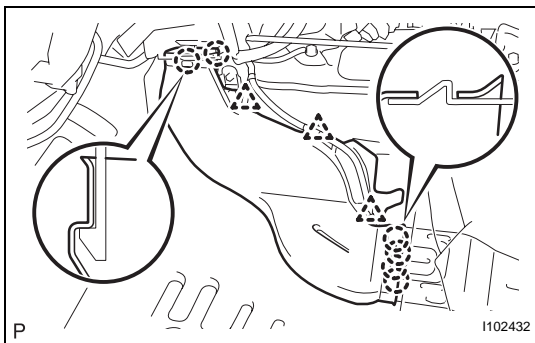
**14. INSTALL NO. 2 AIR DUCT**

- (a) Engage the 3 claws and install the air duct.



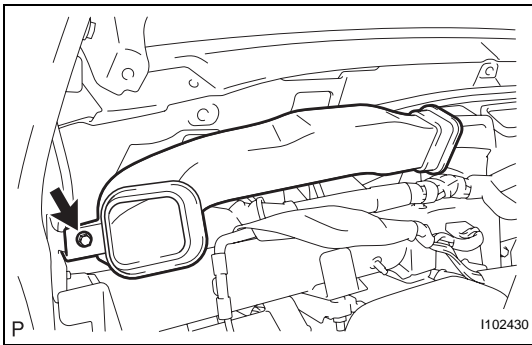
**15. INSTALL REAR NO. 1 AIR DUCT**

- (a) Engage the 6 claws and 3 clamps and install the air duct.

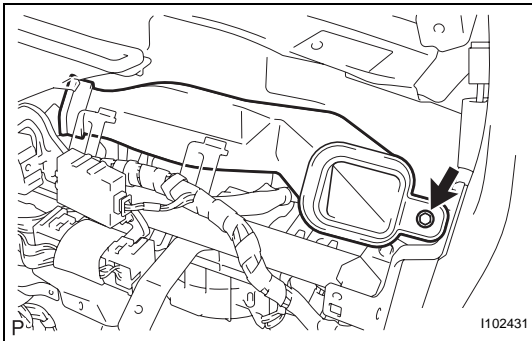


**16. INSTALL REAR NO. 2 AIR DUCT**

- (a) Engage the 6 claws and 3 clamps and install the air duct.



- 17. INSTALL NO. 1 HEATER TO REGISTER DUCT**  
 (a) Install the heater to register duct with the screw.



- 18. INSTALL NO. 2 HEATER TO REGISTER DUCT**  
 (a) Install the heater to register duct with the screw.
- 19. INSTALL INSTRUMENT PANEL SUB-ASSEMBLY**  
 (See page [IP-26](#))
- 20. CONNECT PASSENGER AIRBAG CONNECTOR** (See page [IP-26](#))
- 21. INSTALL INSTRUMENT PANEL FINISH PANEL END LH** (See page [IP-27](#))
- 22. INSTALL ASSIST GRIP RETAINER RH** (See page [IP-27](#))
- 23. INSTALL ASSIST GRIP RETAINER LH** (See page [IP-27](#))
- 24. INSTALL FRONT NO. 2 SPEAKER ASSEMBLY** (See page [AV-62](#))
- 25. INSTALL NO. 2 INSTRUMENT PANEL SPEAKER PANEL SUB-ASSEMBLY** (See page [IP-27](#))
- 26. INSTALL NO. 1 INSTRUMENT PANEL SPEAKER PANEL SUB-ASSEMBLY** (See page [IP-27](#))
- 27. INSTALL NO. 2 INSTRUMENT PANEL REGISTER ASSEMBLY** (See page [IP-27](#))
- 28. INSTALL INSTRUMENT PANEL LOWER FINISH PANEL SUB-ASSEMBLY RH** (See page [IP-28](#))
- 29. INSTALL GLOVE COMPARTMENT DOOR ASSEMBLY** (See page [IP-28](#))
- 30. INSTALL COMBINATION METER ASSEMBLY** (See page [IP-28](#))
- 31. INSTALL INSTRUMENT CLUSTER FINISH PANEL** (See page [IP-29](#))
- 32. INSTALL LOWER INSTRUMENT PANEL LH** (See page [IP-29](#))
- 33. INSTALL LOWER INSTRUMENT PANEL FINISH PANEL SUB-ASSEMBLY LH** (See page [IP-29](#))
- 34. CONNECT HOOD LOCK CONTROL LEVER SUB-ASSEMBLY** (See page [IP-30](#))
- 35. INSTALL NO. 1 INSTRUMENT PANEL REGISTER ASSEMBLY** (See page [IP-30](#))

36. INSTALL INSTRUMENT LOWER COVER SUB-ASSEMBLY (See page [IP-30](#))
37. INSTALL CONSOLE UPPER PANEL NO. 1 GARNISH (See page [IP-31](#))
38. INSTALL FRONT CONSOLE BOX (See page [IP-31](#))
39. INSTALL BOX BOTTOM MAT (See page [IP-31](#))
40. INSTALL CONSOLE UPPER REAR PANEL SUB-ASSEMBLY (See page [IP-31](#))
41. INSTALL SHIFT LEVER KNOB SUB-ASSEMBLY (for Manual Transmission) (See page [IP-32](#))
42. INSTALL SHIFT LEVER KNOB SUB-ASSEMBLY (for 4WD) (See page [IP-32](#))
43. INSTALL PARKING BRAKE HOLE COVER SUB-ASSEMBLY (See page [IP-32](#))
44. INSTALL RADIO RECEIVER ASSEMBLY (See page [AV-56](#))
45. INSTALL INTEGRATION CONTROL AND PANEL ASSEMBLY (See page [IP-32](#))
46. INSTALL INSTRUMENT PANEL GARNISH LH (See page [IP-33](#))
47. INSTALL INSTRUMENT PANEL GARNISH RH (See page [IP-33](#))
48. INSTALL FRONT PILLAR GARNISH RH (See page [IR-43](#))
49. INSTALL FRONT PILLAR GARNISH LH (See page [IR-43](#))
50. INSTALL ASSIST GRIP ASSEMBLY (See page [IR-43](#))
51. INSTALL ASSIST GRIP PLUG (See page [IR-44](#))
52. INSTALL FRONT DOOR OPENING TRIM WEATHERSTRIP LH (See page [IP-33](#))
53. INSTALL FRONT DOOR OPENING TRIM WEATHERSTRIP RH (See page [IP-33](#))
54. INSTALL COWL SIDE TRIM BOARD RH (See page [IR-45](#))
55. INSTALL COWL SIDE TRIM BOARD LH (See page [IR-45](#))
56. INSTALL FOOTREST CLIP (See page [IR-2](#))
57. INSTALL FRONT FLOOR FOOTREST (See page [IR-2](#))
58. INSTALL FRONT DOOR SCUFF PLATE RH (See page [IR-45](#))
59. INSTALL FRONT DOOR SCUFF PLATE LH (See page [IR-45](#))



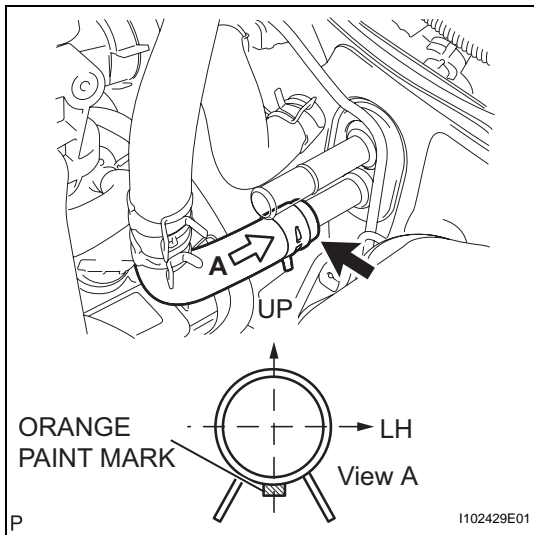
AC

60. INSTALL COMBINATION SWITCH ASSEMBLY (See page [SR-17](#))
61. INSTALL UPPER STEERING COLUMN COVER (See page [SR-17](#))
62. INSTALL LOWER STEERING COLUMN COVER (See page [SR-18](#))
63. INSTALL STEERING WHEEL ASSEMBLY (See page [SR-18](#))
64. INSTALL STEERING PAD (See page [RS-346](#))
65. INSTALL LOWER NO. 2 STEERING WHEEL COVER (See page [RS-347](#))
66. INSTALL LOWER NO. 3 STEERING WHEEL COVER (See page [RS-347](#))
67. CONNECT HEATER WATER OUTLET HOSE A (FROM HEATER UNIT)

- (a) Install the heater water outlet hose onto the heater unit.

**NOTICE:**

Perform the installation with the hose clip and mark at the correct angle as shown in the illustration.

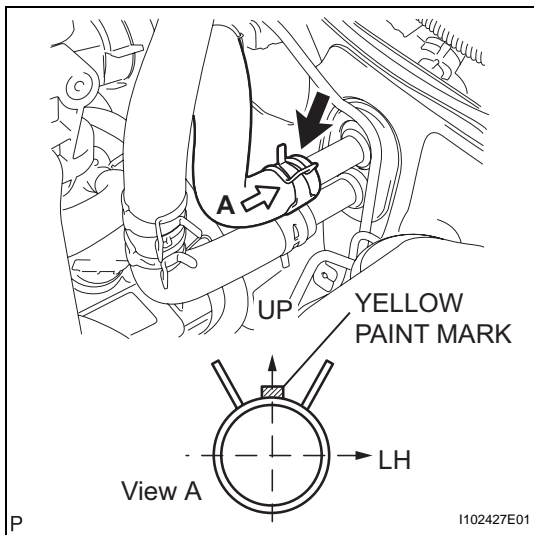


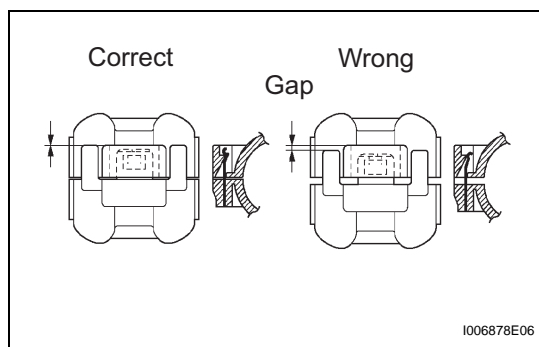
68. CONNECT HEATER INLET WATER HOSE

- (a) Install the heater water inlet hose onto the heater unit.

**NOTICE:**

Perform the installation with the hose clip and mark at the correct angle as shown in the illustration.





- 69. INSTALL COOLER REFRIGERANT LIQUID PIPE A**
- Remove the vinyl tape from liquid tube A and the connecting portion of the unit.
  - Apply sufficient compressor oil (ND-OIL8) to a new O-ring and the connecting part of the liquid pipe.  
**Compressor oil:**  
**ND-OIL8 or the equivalent**
  - Install the O-ring onto the liquid pipe.
  - Install the liquid and piping clamp.  
**HINT:**  
After connection, check the claw fitting of the piping clamp.
- 70. INSTALL COOLER REFRIGERANT SUCTION PIPE A**  
**HINT:**  
Connection procedure of the suction pipe is the same as for the liquid pipe.
- 71. INSTALL COWL TOP VENTILATOR LOUVER LH (See page [WW-30](#))**
- 72. INSTALL COWL TOP VENTILATOR LOUVER RH (See page [WW-30](#))**
- 73. INSTALL COWL TOP VENTILATOR LOUVER SUB-ASSEMBLY (See page [WW-31](#))**
- 74. INSTALL FRONT FENDER SIDE PANEL UPPER LH (See page [WW-31](#))**
- 75. INSTALL FRONT FENDER SIDE PANEL UPPER RH (See page [WW-31](#))**
- 76. INSTALL ANTENNA ORNAMENT (See page [WW-31](#))**
- 77. INSTALL ROOF ANTENNA POLE SUB-ASSEMBLY (See page [AV-116](#))**
- 78. INSTALL FRONT WIPER ARM AND BLADE ASSEMBLY LH (See page [WW-32](#))**
- 79. INSTALL FRONT WIPER ARM AND BLADE ASSEMBLY RH (CENTER SIDE) (See page [WW-32](#))**
- 80. INSTALL FRONT WIPER ARM AND BLADE ASSEMBLY RH (See page [WW-33](#))**
- 81. INSTALL WINDSHIELD WIPER ARM COVER (See page [WW-34](#))**
- 82. ADD ENGINE COOLANT (See page [CO-3](#))**
- 83. CONNECT CABLE TO NEGATIVE BATTERY TERMINAL**  
Torque: 3.9 N\*m (40 kgf\*cm, 35 in.\*lbf)
- 84. CHECK SRS WARNING LIGHT**  
[RS-29](#)
- 85. CHARGE REFRIGERANT (See page [AC-16](#))**
- 86. WARM UP ENGINE (See page [AC-18](#))**

87. CHECK FOR ENGINE COOLANT LEAKAGE (See page [CO-4](#))
88. CHECK FOR REFRIGERANT LEAKAGE (See page [AC-18](#))
89. POSITION FRONT WHEELS FACING STRAIGHT AHEAD